
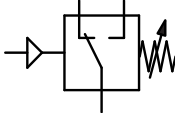


Description	The pressure switch closes or opens an electrical contact when the desired pressure is reached. When the pressure falls below the adjusted setpoint, the contact will be reset.	
Media	compressed air or non-corrosive gases	Switch contact SPDT switch
Overpressure	see chart for max. static pressure,	dynamic pressures are 50% lower
Contact load	DS34: 1 A at 230 V AC,	DS35: 2 A at 230 V AC
ATEX version	DS34: II 3D IP 65 T90°C	DS35: II 2G Ex d II C T6/T5
Electrical connector	3-wire connection cable, length 2 m, cross-sectional area 0.75 mm² at DS34 or 0.5 mm² at DS35	
Hysteresis	< 25% FS, ca. 10% FS in the lower range	
Life cycle	10 ⁸ switching cycles at < 50 bar	
Vibration resistance	10 g at 5...200 Hz	
Mounting position	any	
Temperature range	-20 °C to 80 °C / 23 °F to 176 °F for NBR/Buna-N and EPDM -5 °C to 80 °C / 23 °F to 176 °F for FKM	
Material	Body: zinc-plated steel at DS34, Elastomer: NBR/Buna-N,	aluminium at DS35 optionally EPDM or FKM





**0.3 ... 1.5 / 400 bar
dust- / gas-proof**

Switches

 12

Pressure transmission by	Overpressure protection < bar	Measurement tolerance ± bar	Measurement range bar	Order number
--------------------------	-------------------------------	-----------------------------	-----------------------	--------------

Pressure switch G ¹ / ₄ "		SPDT switch 230 V AC, 1 A	dust-proof	DS34
diaphragm	300	0.2	0.3 ... 1.5	DS34-A
		0.5...1.0	1 ... 10	DS34-B
		1.0	10 ... 20	DS34-C
		2.0	20 ... 50	DS34-D
piston	600	5.0	50 ... 150	DS34-E



DS34, dust protection

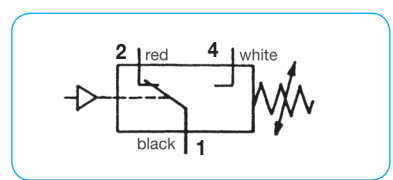
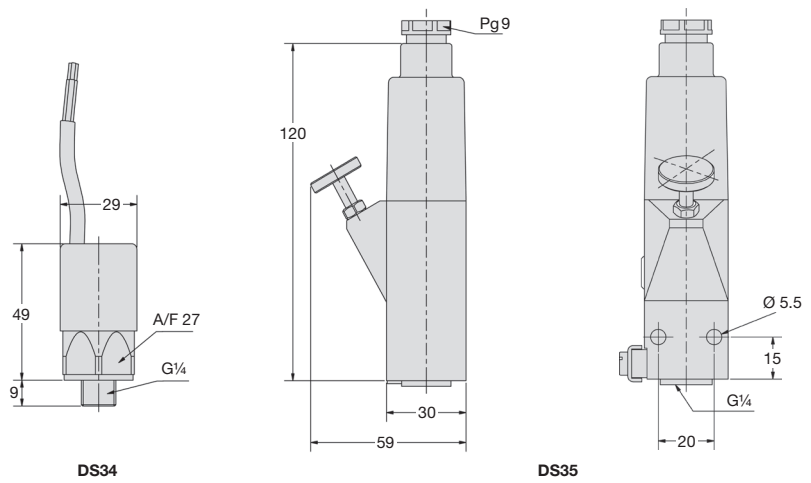
Pressure switch G ¹ / ₄ "		SPDT switch 230 V AC, 2 A	gas-proof	DS35
diaphragm	200	0.5	1 ... 6	DS35-B
		3.0	5 ... 50	DS35-D
piston	600	3...5	20 ... 100	DS35-E
		5...9	100 ... 400	DS35-K



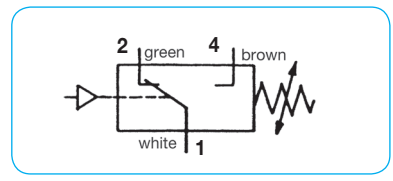
DS35, gas protection

Special options, add the appropriate letter

EPDM elastomer	-20 °C to 80 °C / -4 °F to 176 °F	DS3 . - . E
FKM elastomer	- 5 °C to 80 °C / 23 °F to 176 °F	DS3 . - . V
free of grease and oil	suitable for oxygen, max. 10 bar, diaphragm version only	DS3 . - . L



pin configuration DS34



pin configuration DS35